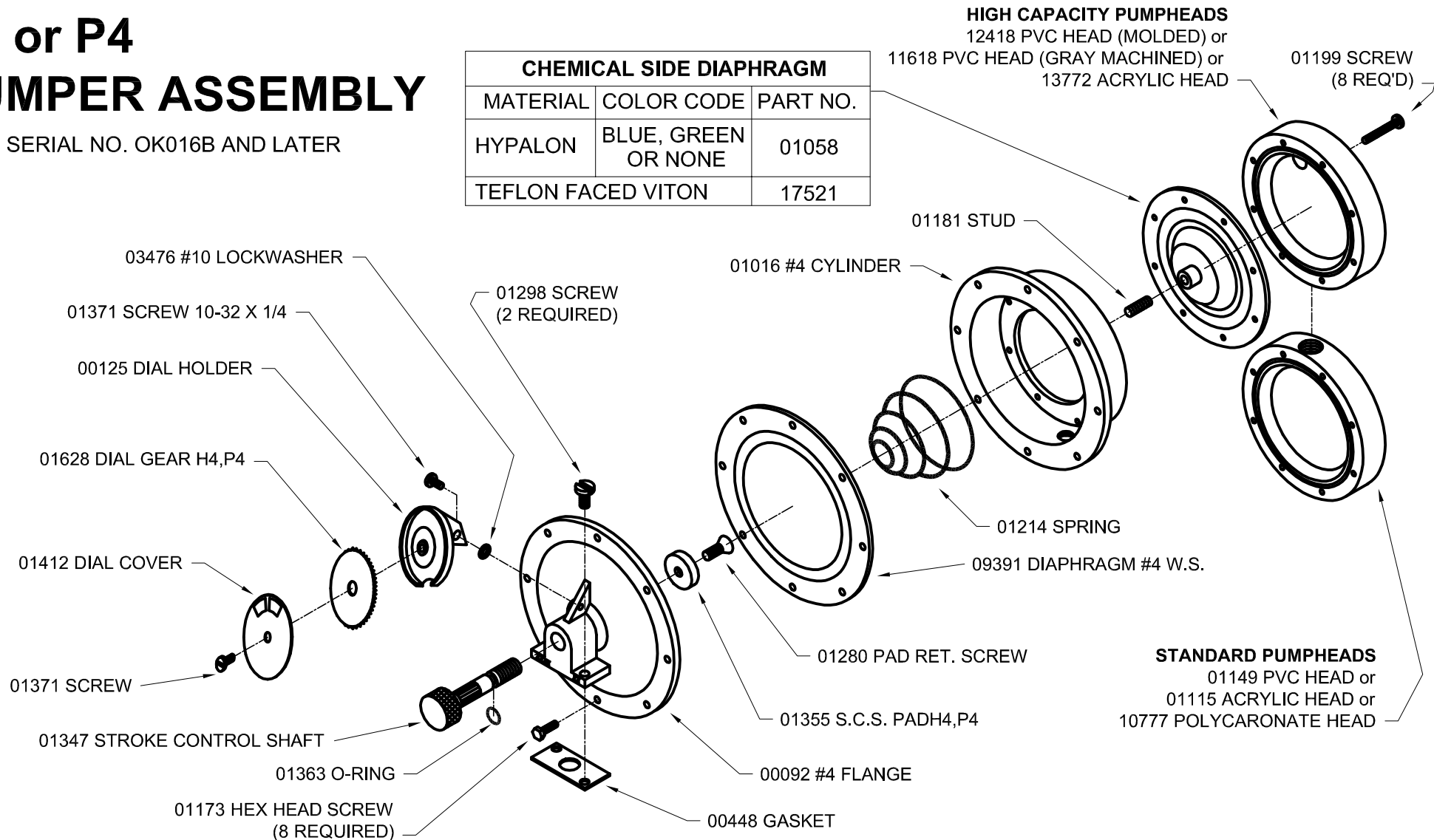


H4 or P4 PUMPER ASSEMBLY

FOR SERIAL NO. OK016B AND LATER

CHEMICAL SIDE DIAPHRAGM		
MATERIAL	COLOR CODE	PART NO.
HYPALON	BLUE, GREEN OR NONE	01058
TEFLON FACED VITON		17521



PUMPERS COMPLETE (ALL PARTS SHOWN ON THIS PAGE)						
	HYP\PVC	HYP\ACR	HYP\PC	TEF\PVC	TEF\ACR	TEF\PC
P4	46510	46509	47598	N/A	N/A	N/A
H4	46554	46543	N/A	46587	N/A	N/A

DIAPHRAGM KITS	
CHEMICAL SIDE MATERIAL	PART NO.
HYPALON	08939
TEFLON FACED VITON	18932

H4P4 4-18-05