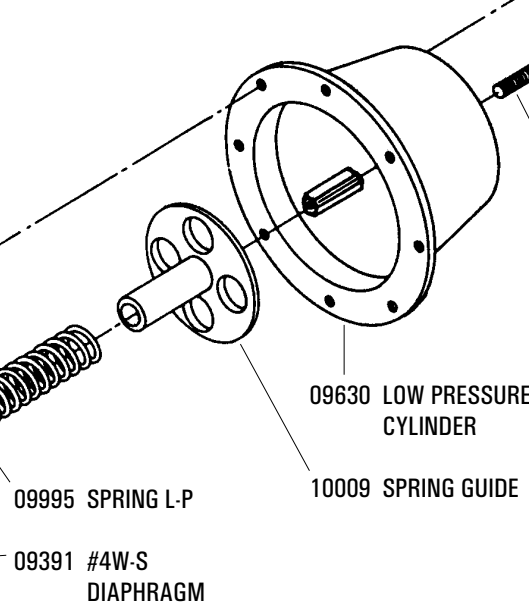
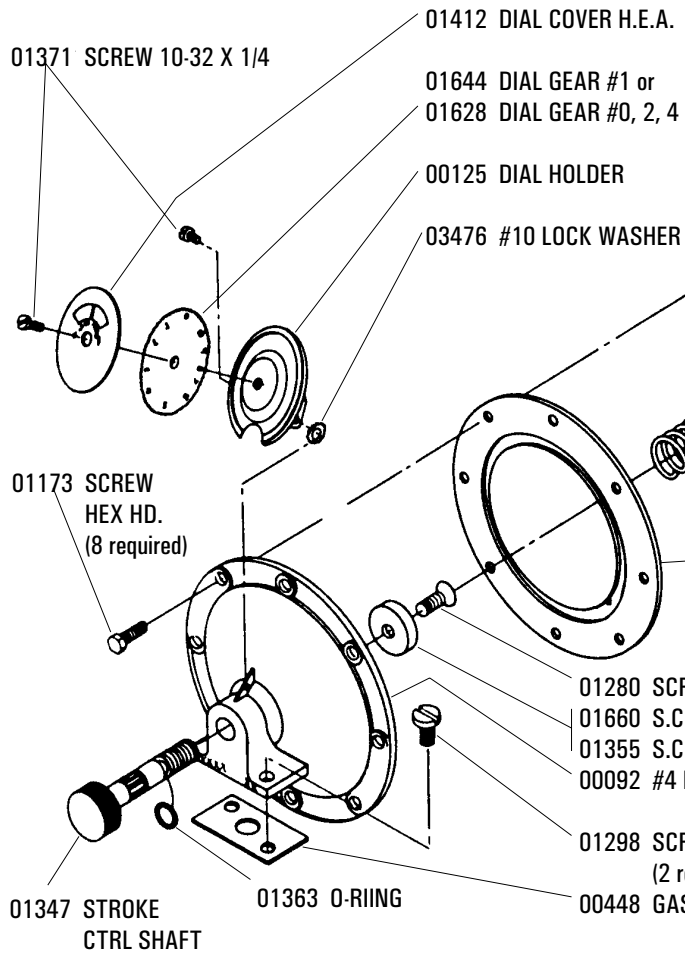
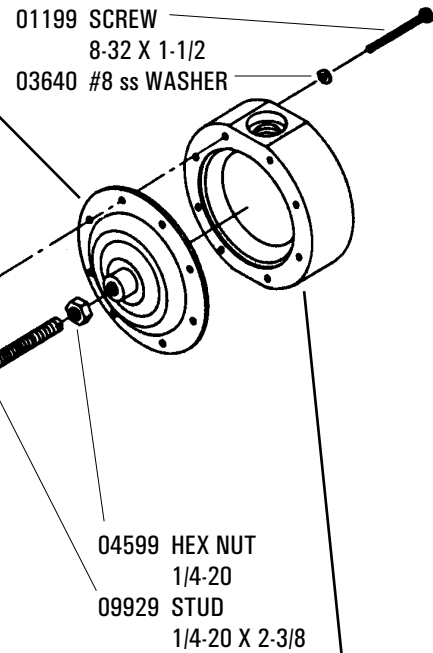


H1, H2, P1, or P2 PUMPER ASSEMBLY WITH LOW PRESSURE OPTION (5 PSI)

CHEMICAL SIDE DIAPHRAGM		
MATERIAL	COLOR CODE	PART NO.
HYPALON	BLUE, GREEN, OR NONE	01066
VITON	GOLD	01090



DIAPHRAGM KITS	
CHEMICAL SIDE MATERIAL	PART NO.
HYPALON	10661



**FOR P1 or P2 PUMPER
WITH STANDARD
FITTINGS**
01157 PVC HEAD or
01123 ACRYLIC HEAD

**FOR H1, H2, P1, or P2
PUMPER WITH HIGH
CAPACITY FITTINGS**
02170 PVC HEAD or
02162 ACRYLIC HEAD