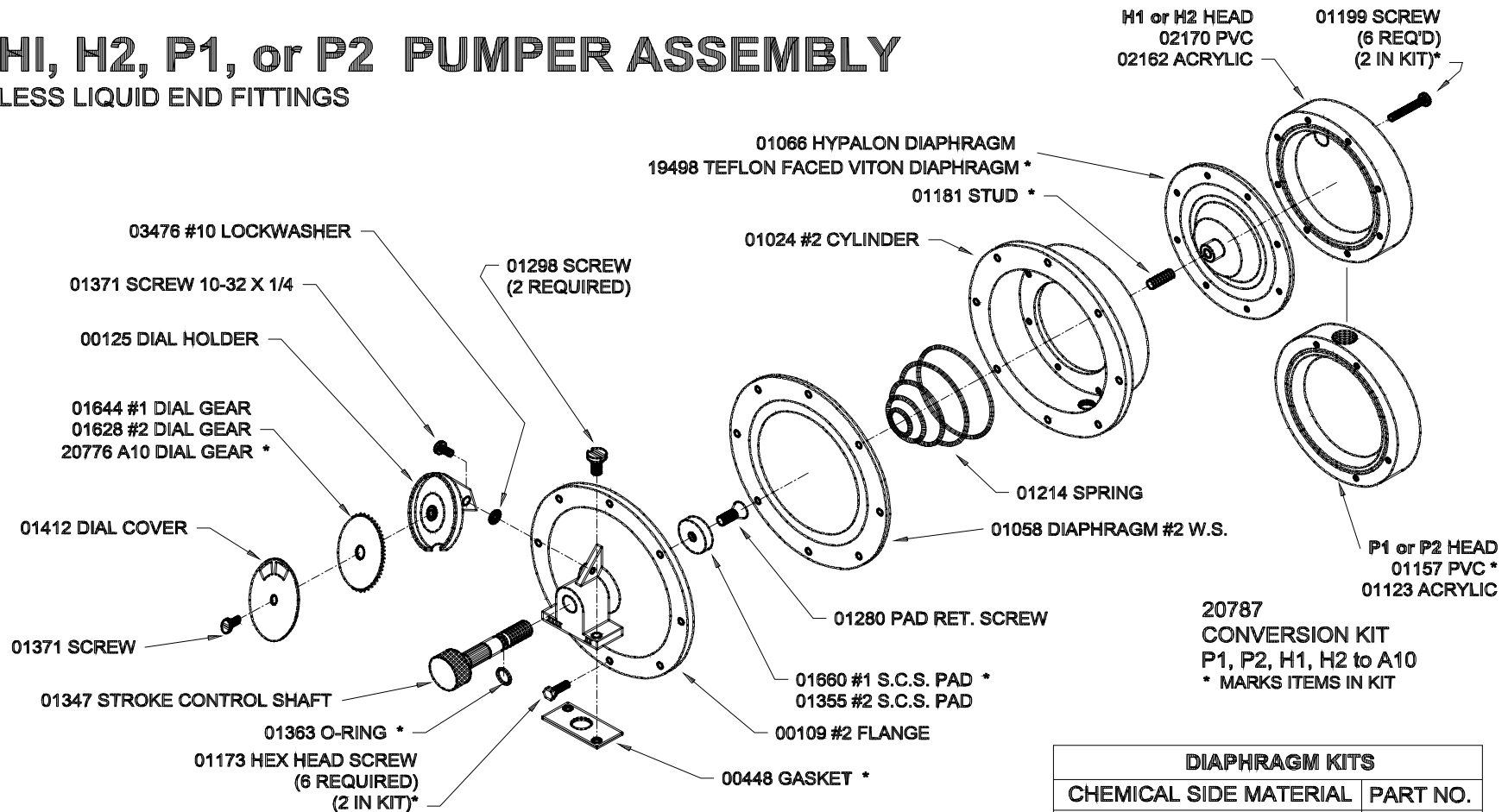


HI, H2, P1, or P2 PUMPER ASSEMBLY

LESS LIQUID END FITTINGS



PUMPERS COMPLETE (AS SHOWN ON THIS PAGE)				
	P1	P2	H1	H2
HYPVPC	45510	46010	45554	46054
HYPVACR	45509	46009	45543	46043

DIAPHRAGM KITS	
CHEMICAL SIDE MATERIAL	PART NO.
HYPALON	08913

DIAPHRAGM KITS INCLUDE BOTH DIAPHRAGMS, STUD ALL O-RINGS, GASKETS AND 2 EACH EXTRA SCREWS

HP12 4-15-04