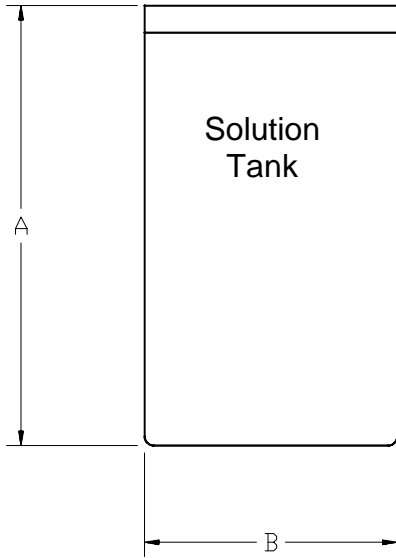


RATIO:FEEDER® ACCESSORIES

Includes polyethylene solution tanks, mixers, calibration standpipes, and chemical suction pipes.

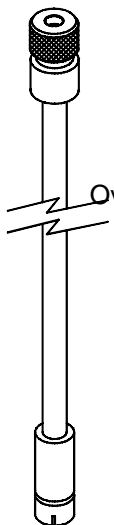


DIMENSIONS

	02220 15 Gal.	02246 43 Gal.	02518 80 Gal.
A	24"	40"	41"
B	14"	18"	24"

All solution tanks have a slip-on lid.

Standard Capacity Suction/Priming Pipe for 3/8" OD Tube P/N 17087



39"
Overall Length

Hi Capacity Suction/Priming Pipe for 1/2" ID Tube P/N 19543

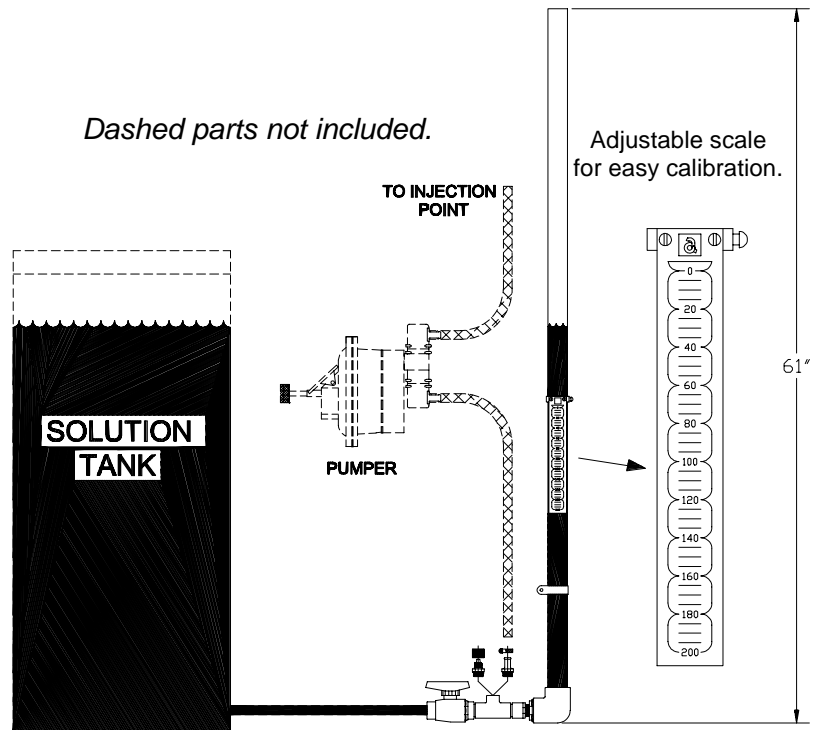
Mixer 120VAC P/N 18876

Mounts on side of
solution tank.

Stainless steel
construction.

Adjustable shaft
from 22" to 42".

Dashed parts not included.



Calibration Standpipe P/N 08649

Accs 09/01

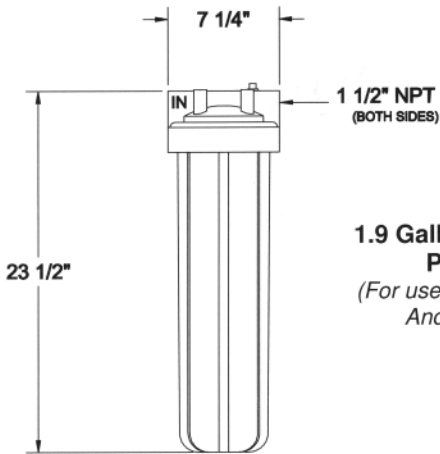


H.E. Anderson Company, 2100 Anderson Dr., P.O. Box 1006, Muskogee, OK 74402
Ph 800-331-9620 / Ph (918) 687-4426 / Fax (918) 682-3342



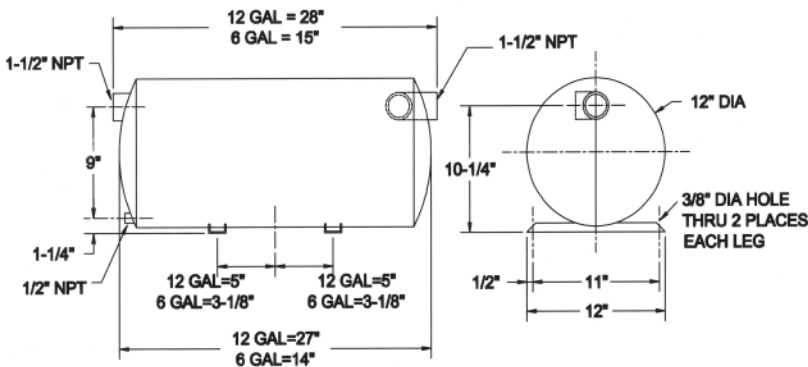
RATIO-FEEDER® BLEND TANKS

Dimensions and Sizes for the 1.9 gallon, 6 gallon, 12 gallon, 30 gallon and 80 gallon blend tanks. All blend tanks are galvanized (except the 1.9 gallon) on the inside and outside. The 1.9, 6, 12 and 30 gallon blend tanks can ship via UPS. The 80 gallon blend tank must ship via motor freight. Use the 1.9 gallon blend tank only with the Andy or Andy Jr. Series. Use the 6 & 12 gallon blend tank for water flows up to 50 GPM. Use the 30 gallon blend tank for water flows up to 200 GPM. Use the 80 gallon blend tank for water flows up to 1200 GPM.

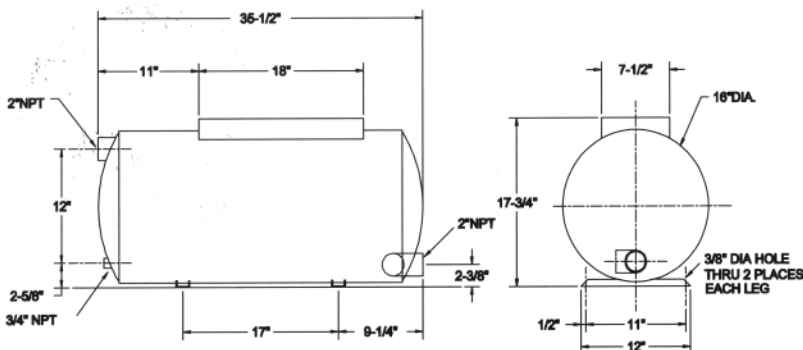


1.9 Gallon Blend Tank
P/N 20710
(For use only with Andy & Andy Jr. Series)

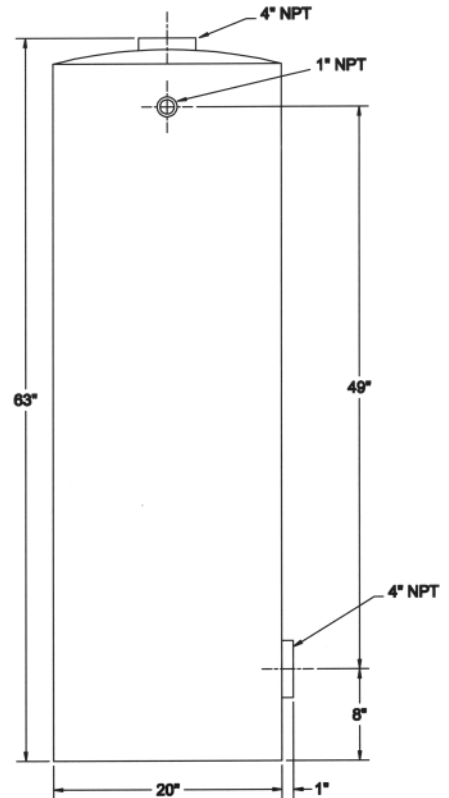
Shipping Weights					
	1.9 Gal.	6 Gal.	12 Gal.	30 Gal.	80 Gal.
Pounds	8	32	50	85	195



6 Gallon Blend Tank - P/N 20310
12 Gallon Blend Tank - P/N 07120



30 Gallon Blend Tank - P/N 07310



80 Gallon Blend Tank - P/N 07633



H.E. Anderson
COMPANY
 Muskogee, OK 74402-1006
 Phone 1-800-331-9620

1-800-331-9620