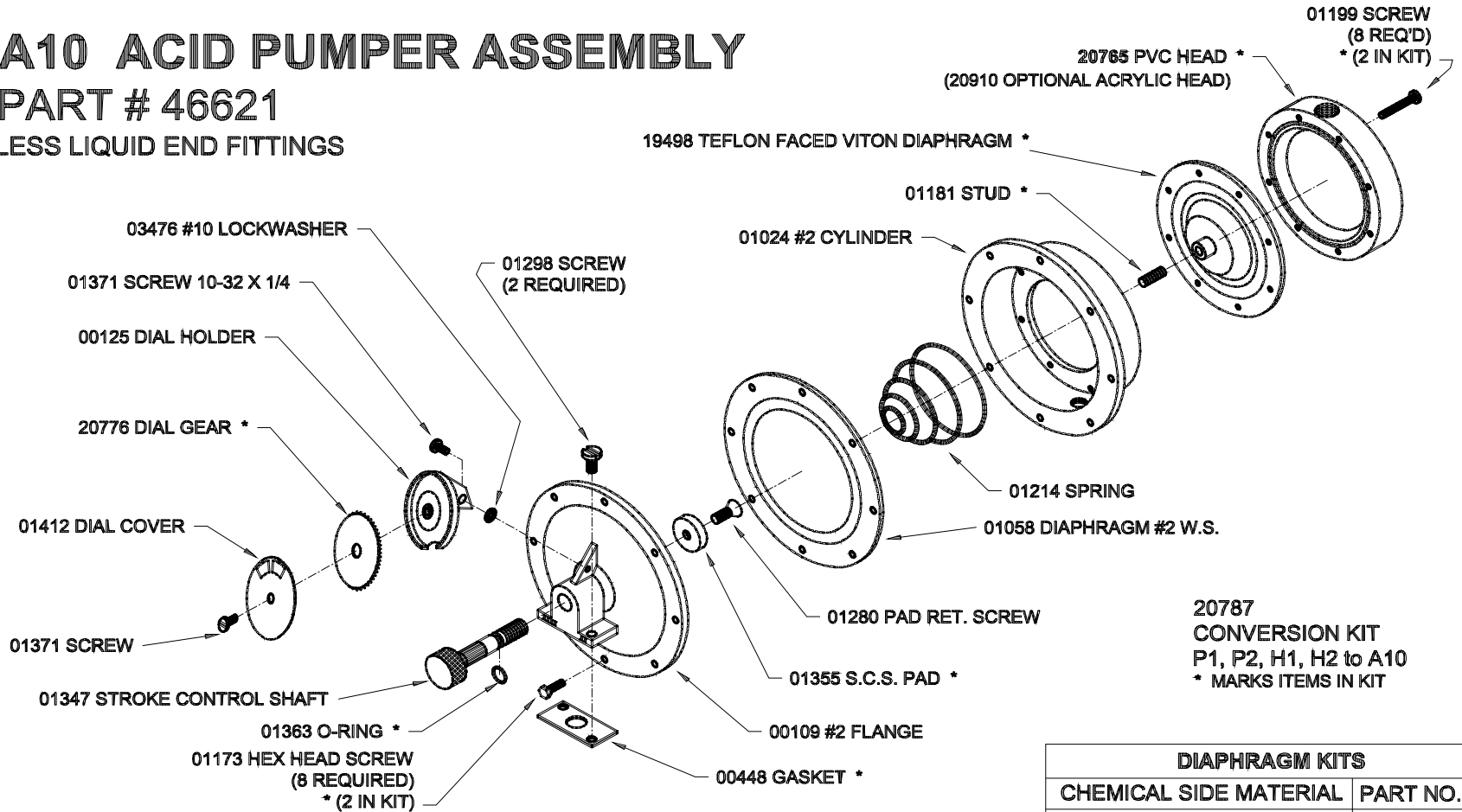


A10 ACID PUMPER ASSEMBLY

PART # 46621

LESS LIQUID END FITTINGS



TYPICAL MODEL NUMBER EXAMPLE SEE PRICE LIST FOR OPTION CODES

ACID SERIES PUMPERS **A10-VCP** EXTRA OPTIONS

ML DISPLACEMENT INJECTION FITTING CODE

MATERIALS OF CONSTRUCTION CODE

DIAPHRAGM KITS	
CHEMICAL SIDE MATERIAL	PART NO.
TEFLON FACED VITON	20798

DIAPHRAGM KITS INCLUDE BOTH DIAPHRAGMS, STUD ALL O-RINGS, GASKETS AND 2 EACH EXTRA SCREWS

A10 4-15-04