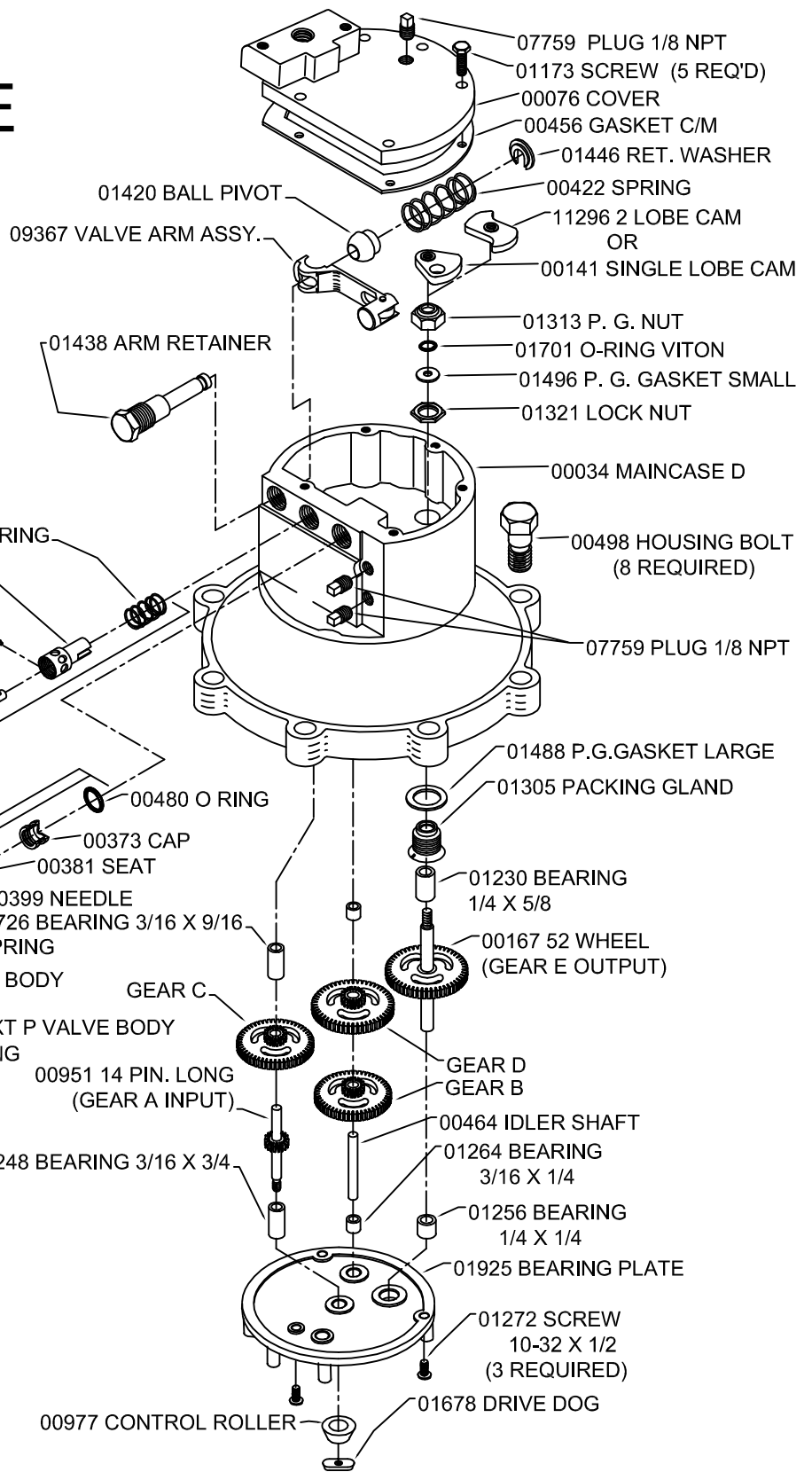
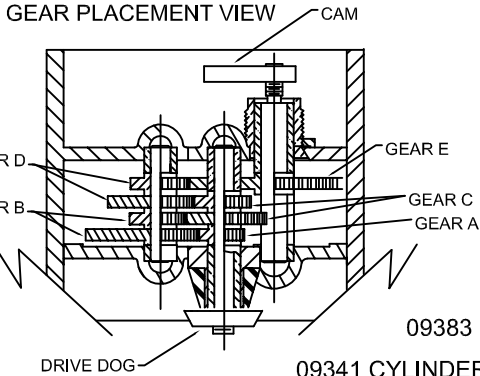


SERIES SD UPPER MAINCASE

FOR COMPLETE MAINCASE ORDER PART
#08863 PLUS A GEAR KIT AND A CAM



GEAR TRAIN PART NUMBER TABLE
PART NUMBERS IN BOLD FACE

MODEL	WHEEL & PINION			COMPLETE GEAR KIT **
	GEAR B	GEAR C	GEAR D	
DE*	00224 52-15	00258 51-16	00282 50-14	11990
DJ*	00224 52-15	00240 51-21	00331 45-14	12005
DN*	00208 52-20	00290 46-20	00307 46-14	12013
DT*	00191 52-21	00315 45-24	00357 42-14	12039
DX*	01579 52-25	01587 41-25	01595 41-14	11990

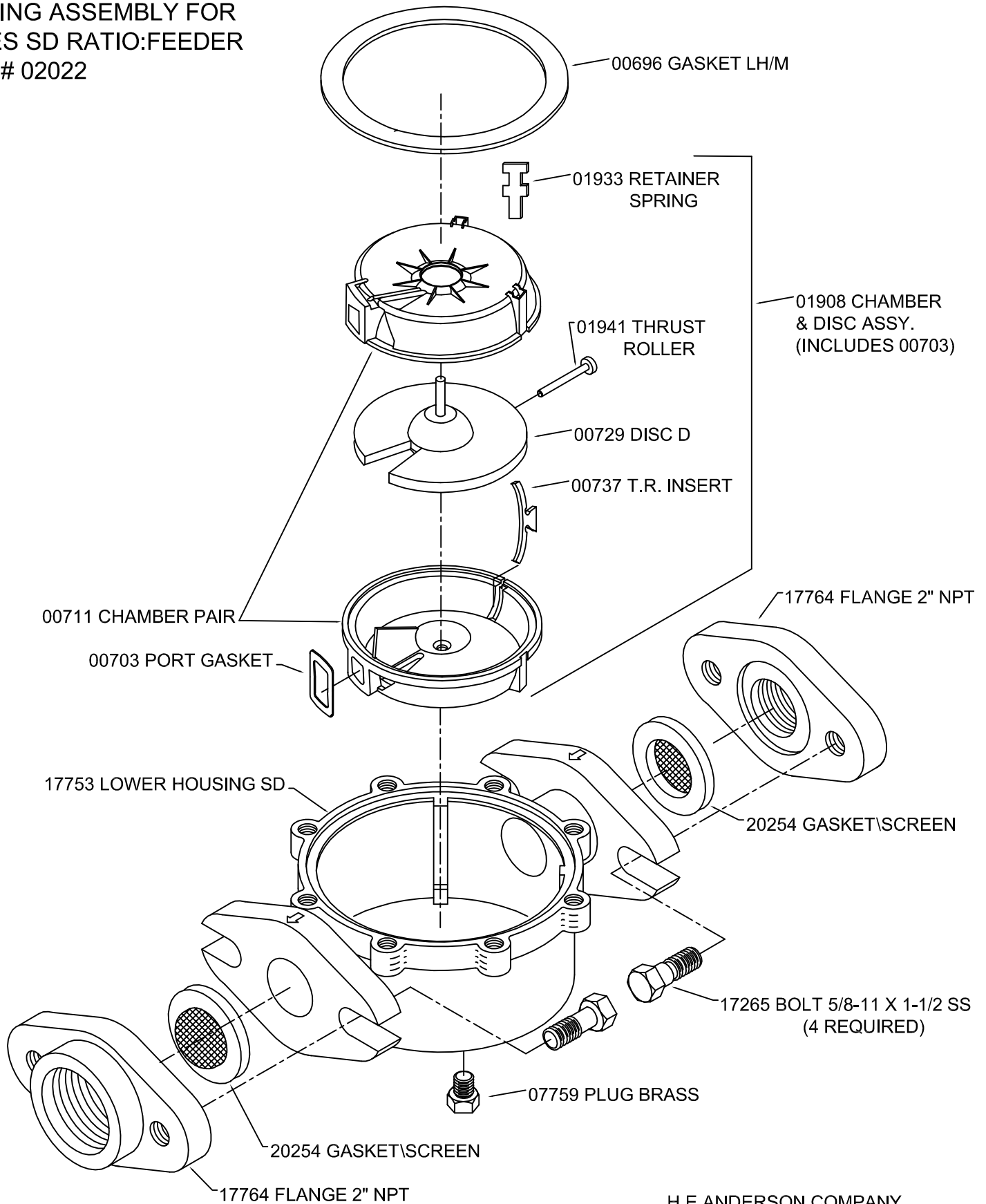
06751 MAINCASE KIT (1) 00381 (1) 00480 (1) 01496 (1) 00399 (2) 01173 (2) 01701 (1) 00422 (1) 01470 (1) 09383 (1) 00456 (1) 01488	12070 UPPER MAINCASE REBUILD KIT (1) 00422 (1) 01420 (1) 01496 (1) 09317 (1) 00456 (1) 01438 (1) 01701 (1) 09367 (1) 01313 (1) 01446 (1) 01975 (1) 01321 (1) 01488 (1) 07238
---	---

17605 ARM RETAINER AND BALL PIVOT REBUILD KIT (1) 01420 (1) 01438 (1) 07238

** GEAR KITS INCLUDE ALL GEARS, SHAFTS, BEARINGS,
CONTROL ROLLER AND DRIVE DOG

SERIES SD LOWER HOUSING

MEASURING CHAMBER/LOWER
HOUSING ASSEMBLY FOR
SERIES SD RATIO:FEEDER
PART # 02022



H E ANDERSON COMPANY
FORM SDLH 12-00