



H.E. Anderson Company

J+ Advanced Ratio:Feeder® Controller
Building the Best Injectors for Over 50 Years



H.E. Anderson Co. is proud to introduce the new J+ Advanced Ratio:Feeder® controller. This new product features 8 outputs, a 4 line alpha/numeric display and a 12 button keypad. This continues the J Series reputation as the most reliable, accurate and flexible injection system on the market. Up to 8 chemicals can be injected simultaneously at different rates. Common applications include dosing fertilizer, pH adjustment, sanitation, and injecting wetting agents, soaps and many other chemicals.

Please call or email with any questions.

Gary Fay – Eastern Sales Manager
gary@heanderson.com

Randy Nester – HEA Sales
randy@heanderson.com

Peter Driver – Atlantic Field Sales
peter@heanderson.com

Bruce Walters – HEA Sales
bruce@heanderson.com



J+ Advanced Ratio:Feeder® Controller

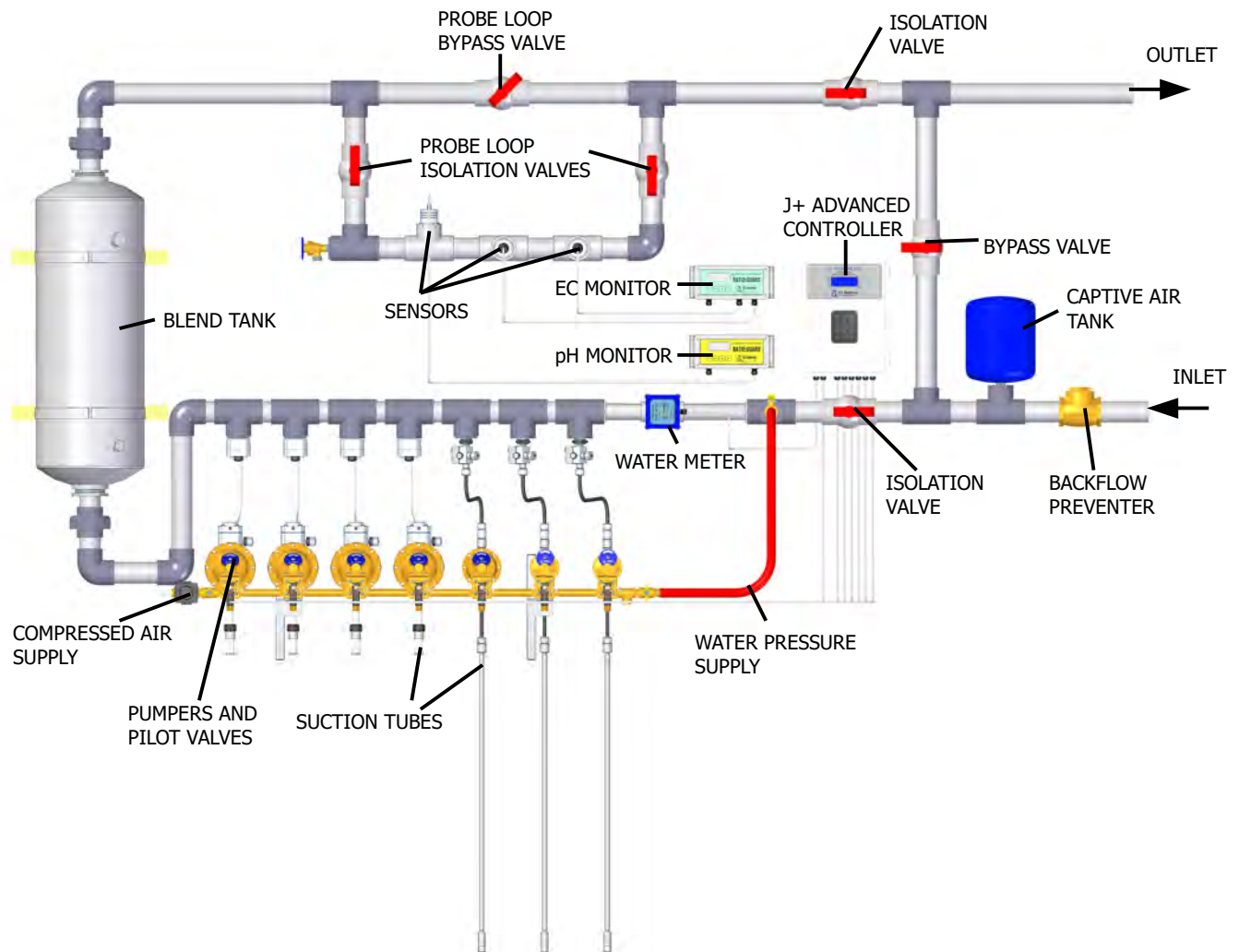
Features

- Controls 8 individual outputs
- Easy to use 4 x 20 LCD and 12 button interface
- Works with existing H.E. Anderson components
- Controls various solenoid pumps
- Interfaces with other devices via Modbus
- Easy installation and operation
- Legendary accuracy and dependability
- Expandable and flexible

Specifications

- 8 individual 12VDC outputs
- Flow rate display
- Re-settable and permanent flow totalizers
- RS485 Modbus communication
- Power required: 12VDC or 120VAC
- 15 month warranty

Typical J System Installation



Please call or email with any questions.

Gary Fay – Eastern Sales Manager
gary@heanderson.com

Randy Nester – HEA Sales
randy@heanderson.com

Peter Driver – Atlantic Field Sales
peter@heanderson.com

Bruce Walters – HEA Sales
bruce@heanderson.com

